

Aqua-Pure®

Spec # _____

Quantity _____

Models:

3MFF100

Full Flow Drinking Water System

Applications:

- Chlorine Taste & Odor (CTO)
- Sediment
- Lead & Parasitic Protozoan Cysts
- Select VOC's*

At a Glance:

- Easy to install
- Easy to replace cartridge
- 6,000 Gallon/22,710 liter Capacity
- 2.5 gpm/9.5 lpm Flow Rate
- 0.5 Nominal Micron Rating
- NSF listed (Std 42 and Std 53, CA and LA County Listed)
- CA AB 1953 Certified



3MFF100

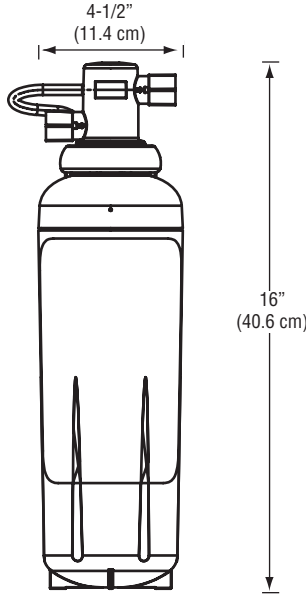
Product Benefits:

- 2.5 GPM allows filter system to be used on existing kitchen and /or both faucets
- 3/8" NPT connections on filter head makes installation easy
- Shut off valve in head eliminates the need to turn off water supply
- Sanitary quick change design helps eliminate the need to handle filter media
- Easy filter change-outs, just a 1/4 turn to remove and insert
- Designed to connect to your existing primary kitchen or bath faucet for full flow filtration, providing a clean look on your counter
- *This system reduces CTO, sediment, and a number of select VOC's (Benzene, P-Dichlorobenzene & Toxaphene), as well as lead and 99.95% of filterable parasitic protozoan cysts from your cold water supply delivered right to the sink

Physical Specifications:

Model No. (Part No.)	Inlet/ Outlet Size	Dimensions		Approximate Weight	Flow Rate	Capacity	Max. Water Temp.	Max. Water Pressure	Std. Replacement Ctg. No.
		Height	Diameter						
3MFF100 (56163-18)	3/8" NPT	18" (45.7 cm)	4-1/2" (11.4 cm)	4 lbs (1.8 kg)	2.5 gpm (7.8 lpm)	6,000 gallons (22,710 liters)	100 °F (37.8 °C)	125 psi (862 kPa)	56134-32
3MFF101 (56134-32)	N/A	14.5" (36.8 cm)		3.5 lbs (1.6kg)	N/A				N/A

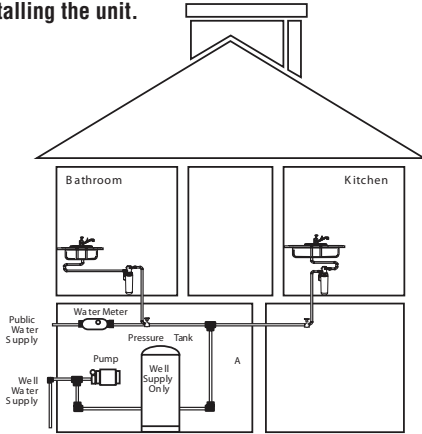
Aqua-Pure®



3MFF100

Easy Installation:

CAUTION: Diagram shown is for reference purposes only. Read installation and operation manual prior to installing the unit.



Spec # _____

Quantity _____

Model Number _____

Part Number _____

Product Specifications:

- Includes head bracket with integral mounting bracket, 2 screws
- Inlet and outlet plumbing connections are 3/8" NPT design
- System max operating pressure of 125 psi (862 kPa) and operating max operating temperature of 100 F (37.8 C)
- Filter cartridge incorporates a carbon block media protected by a pleated pre filter wrap
- 6,000 Gallon Capacity
- 2.5 gpm (7.8 lpm) flow rate
- 0.5 Nominal micron rating
- System is NSF Standard 42 & 53 compliant for the reduction of claims specified on the Performance Data Sheet
- Built in valve shuts off water when changing filters

How Big is a Micron? - A Micron is .000039 of an inch

Relative Sizes

- Human eye can see 40 micron (a thousand times smaller than the eye of a needle)
- Diameter of a human hair is about 20 micron
- A Parasitic Protozoan Cyst is 5-15 micron
- E.Coli Bacteria is 0.65 micron wide by 1.7 micron long
The 3MFF100 does not reduce bacteria
- 3M Purification Inc. filter has pores 0.2 Micron in size

⚠ WARNING: To reduce the risk associated with the ingestion of contaminants: Do not use with water that is microbiologically unsafe or of unknown quality without adequate disinfection before or after the system. Systems certified for cyst reduction may be used on disinfected water that may contain filterable cysts. EPA Establishment #070595-CT-001

CAUTION

To reduce the risk associated with property damage due to water leakage:

- Read and follow Use Instructions before installation and use of this system.
- The disposable filter cartridge **MUST** be replaced every 12 months, at the rated capacity or sooner if a noticeable reduction in flow rate occurs.

3M Purification Inc. recommends regularly scheduled maintenance and replacement of the filter cartridge(s) in order for the product to perform as advertised/sold.

Limited Warranty:

3M Purification Inc. warrants this Product will be free from defects in material and manufacture for the period of one (1) year from the date of purchase: This warranty does not cover failures resulting from abuse, misuse, alteration or damage not caused by 3M Purification Inc. or failure to follow installation and use instructions. No warranty is given as to the service life of any filter cartridge or membrane as it will vary with local water conditions and water consumption. **3M PURIFICATION INC. MAKES NO OTHER WARRANTIES OR CONDITIONS, EXPRESS OR IMPLIED, INCLUDING, BUT NOT LIMITED TO, ANY IMPLIED WARRANTY OR CONDITION OF MERCHANTABILITY OR FITNESS FOR A PARTICULAR PURPOSE OR ANY IMPLIED WARRANTY OR CONDITION ARISING OUT OF A COURSE OF DEALING, CUSTOMER OR USAGE OF TRADE.** If the Product fails to satisfy this Limited Warranty during the warranty period, 3M Purification Inc. will replace the Product or refund your Product purchase price. This warranty does not cover labor. **The remedy stated in this paragraph is Customer's sole remedy and 3M Purification Inc.'s exclusive obligation. For additional information, see the entire Limited Warranty located in the product Installation and Operating Instruction Manual.**

Limitation of Liability. 3M Purification Inc. will not be liable for any loss or damage arising from this 3M Purification Inc. product, whether direct, indirect, special, incidental, or consequential, regardless of the legal theory asserted, including warranty, contract, negligence or strict liability. Some states and countries do not allow the exclusion or limitation of incidental or consequential damages, so the above limitation or exclusion may not apply to you.

3M

3M Purification Inc.
400 Research Parkway
Meriden, CT 06450 U.S.A.
Toll Free: 1.800.222.7880
Worldwide: 203.237.5541
Fax: 203.238.8701
www.aquapure.com • www.3Mpurification.com



Visit www.nsf.org for the claims associated with products that are NSF listed.

Distributed by:

Aqua-Pure is a trademark of 3M Company used under license
3M is a trademark of 3M Company
NSF is a trademark of NSF International.
© 2011 3M Company. All rights reserved.
70-0202-6676-6 REV 0111